

PLEASE READ this sheet prior to assembly to familiarise yourself with the various stages of construction. Carefully open the pack supplied and check the contents against the parts and fittings check list.

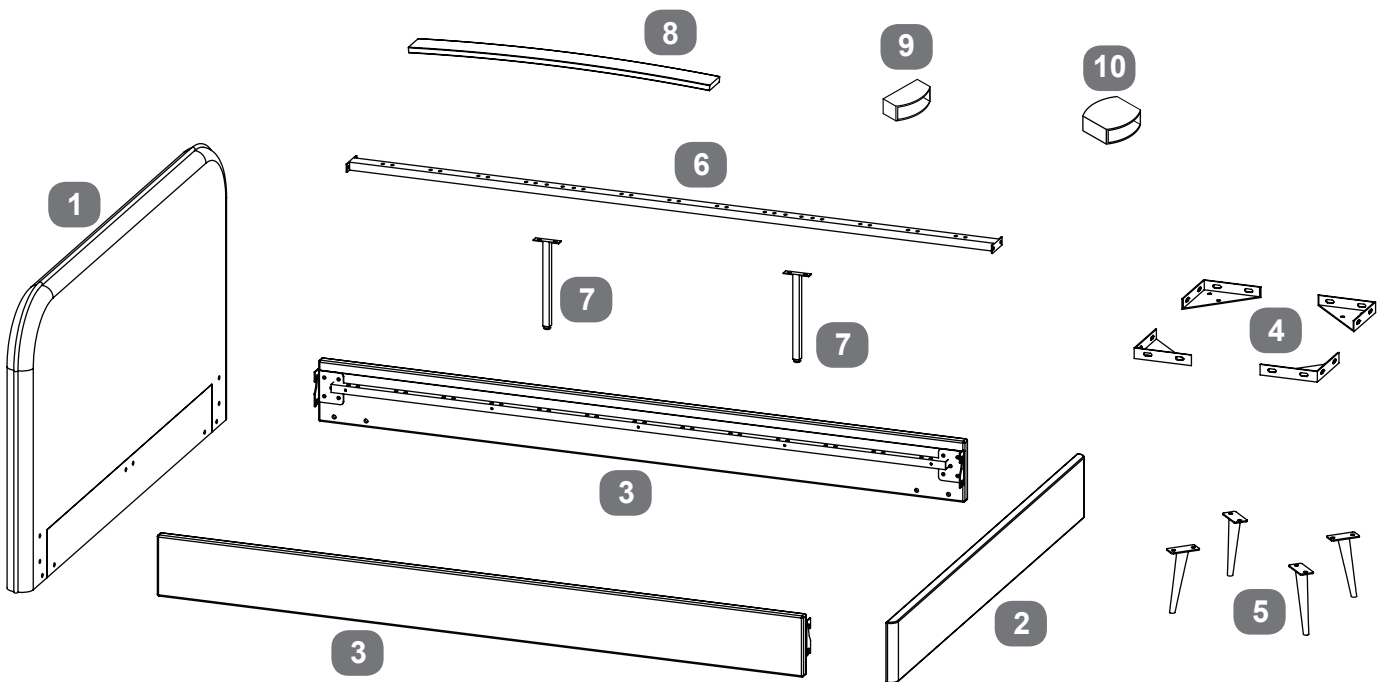
Do not destroy any of the packaging until you are certain that you have all the necessary parts for the assembly.

Please ensure that the packaging is disposed of in a safe environmentally friendly way.

CAUTION: There are small components used in the construction of this unit. These loose items should be kept away from young children during assembly, to avoid the danger of choking.

IMPORTANT: BEFORE STARTING TO ASSEMBLE THE BED - PLEASE READ THESE INSTRUCTIONS CAREFULLY.

Parts Identification



Parts Checklist

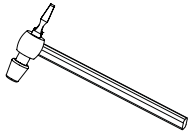
Ref.	Description	Qty	Ref.	Description	Qty
1	Headboard	1	6	Centre Support Bar	1
2	Footboard	1	7	Centre Support Bar Legs	2
3	Side Rails	2	8	Wooden Slats	Double/King 24/26
4	Angle Brackets	4	9	Single Plastic Caps	Double/King 24/26
5	Metal Legs	4	10	Double Plastic Caps	Double/King 12/13

Fittings Checklist

HARDWARE NEEDED FOR BED ASSEMBLY

Code	Description	Qty	Code	Description	Qty
A	Bolts (M8x30mm) for fitting side rails (3) and Centre support bar (5) to headboard & footboard (1&2)	x28	E	Bolts (M8x45mm) for fitting Centre Support Bar Legs (7) to Centre Support Bar (6)	x4
B	Spring Washers (for M8 bolts)	x32	F	M8 nuts for fitting centre bar support legs (7) and metal legs (5)	x12
C	Flat Washers (for M8 bolts)	x48	G	Spanner (for M8 nut)	x1
D	Allen Key (for M8 bolt)	x1	H	Bolts (M8x25mm) for fitting metal legs (5) to angle brackets (4)	x8

Additional Tools Required



Care & Maintenance

In the unlikely event of missing or damaged parts, please contact your retailer. Please have this guide at hand quoting the part code reference numbers shown when requesting spare or replacement parts.

General Hints & Tips



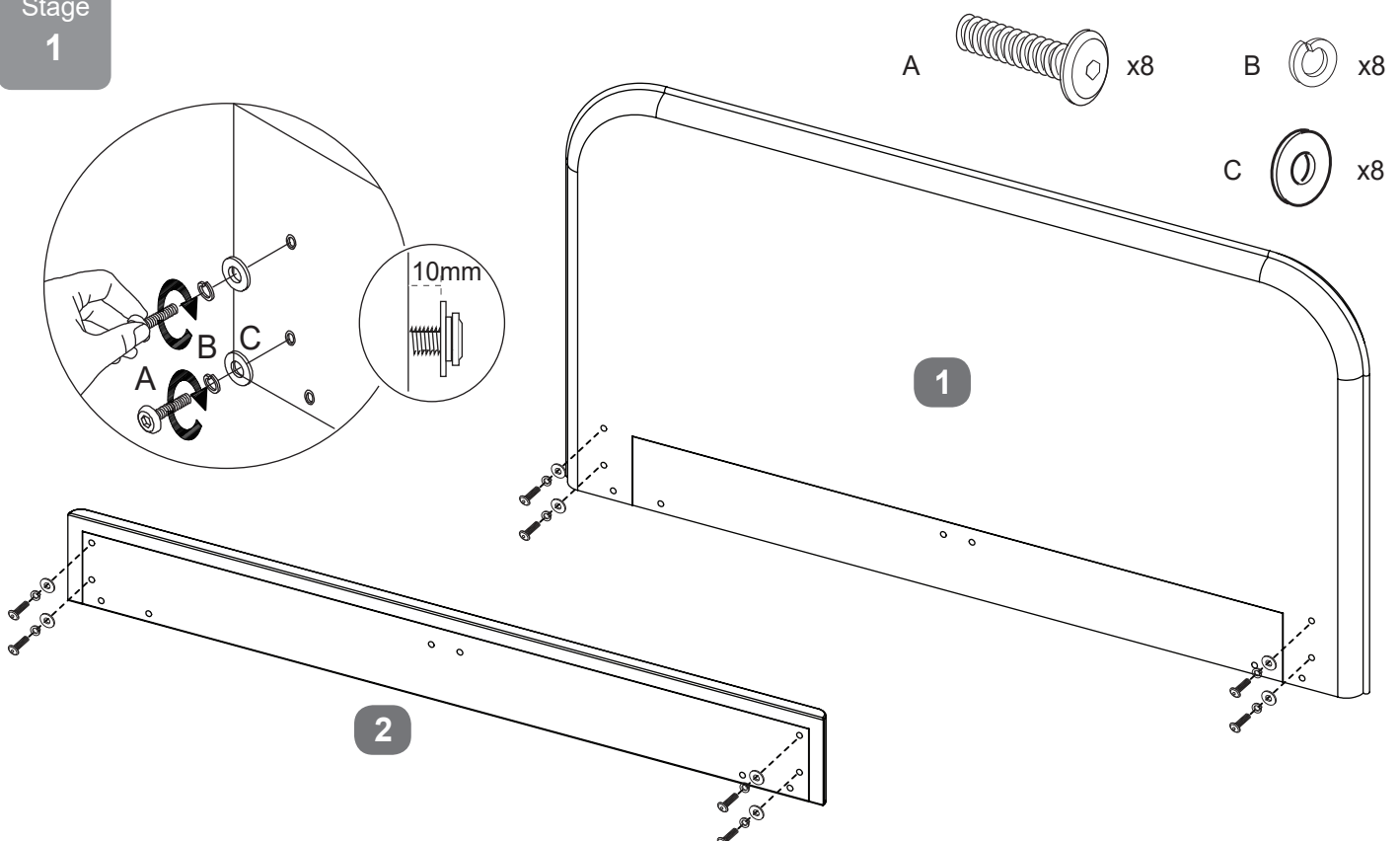
Please retain your assembly instruction and tools provided for future use. Periodically check that all bolts are still tight



Approximate time to assemble this product

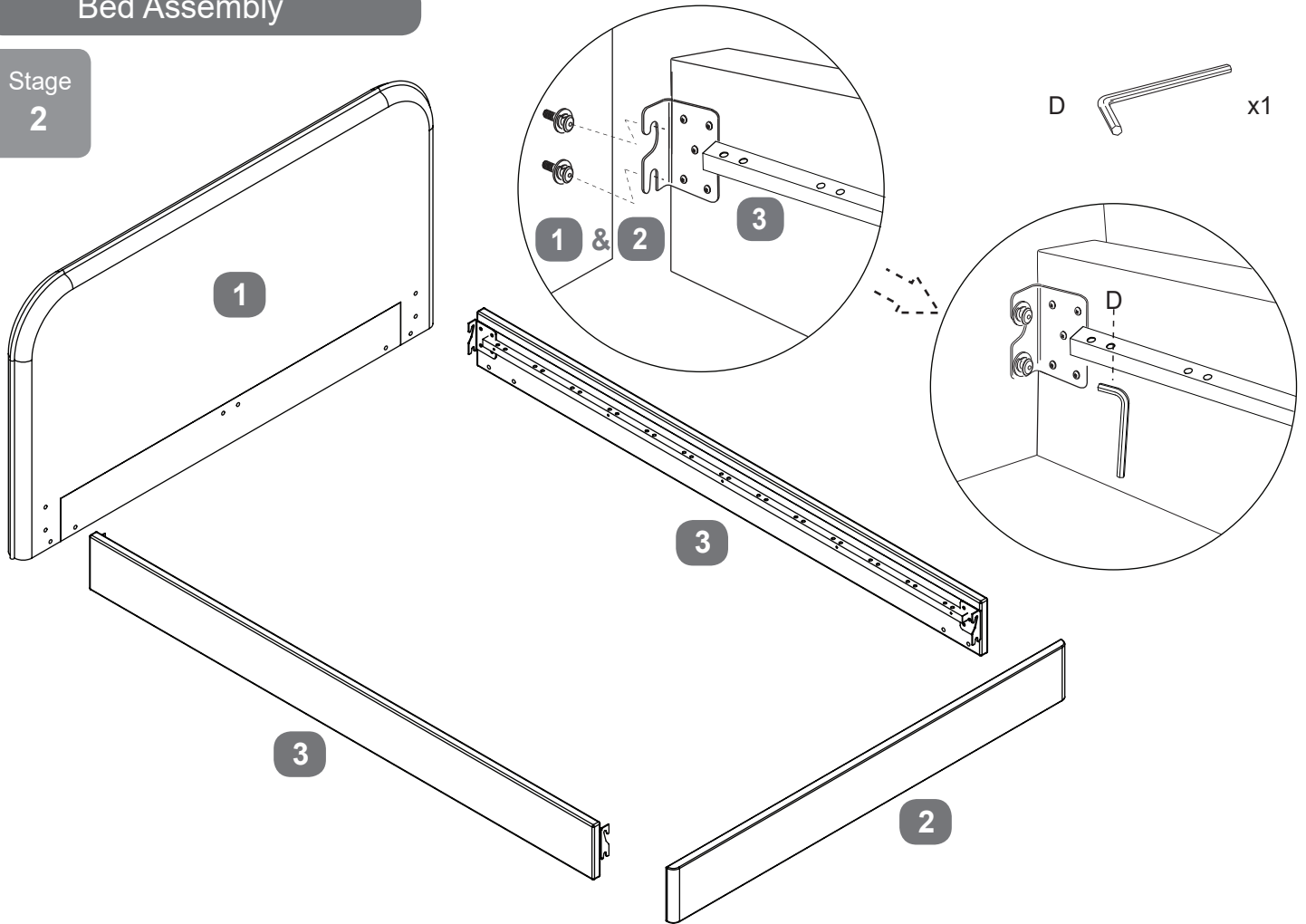
Bed Assembly

Stage
1



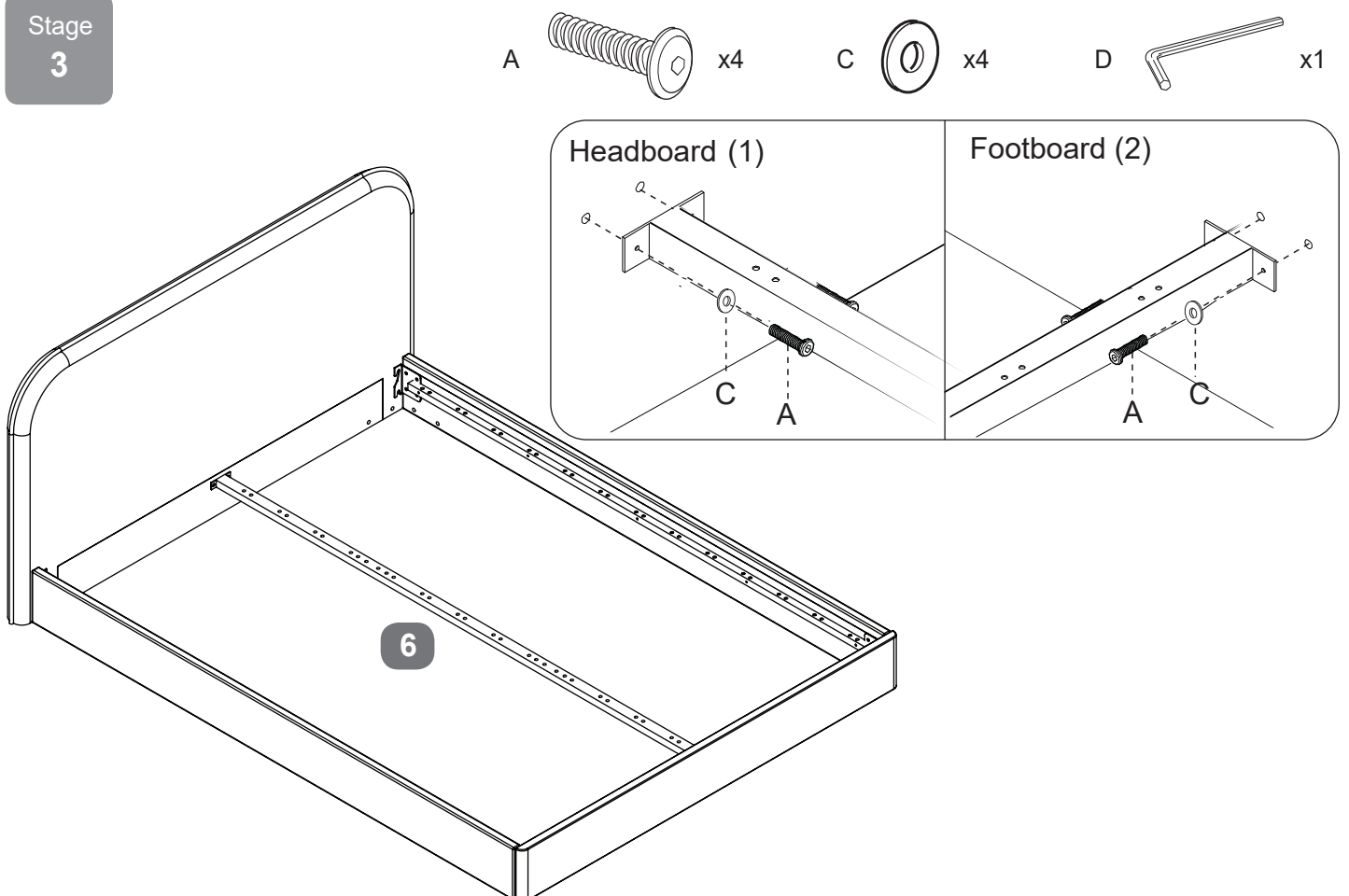
Bed Assembly

Stage
2



Loosely screw in the bolts but do not tighten them 100% yet.

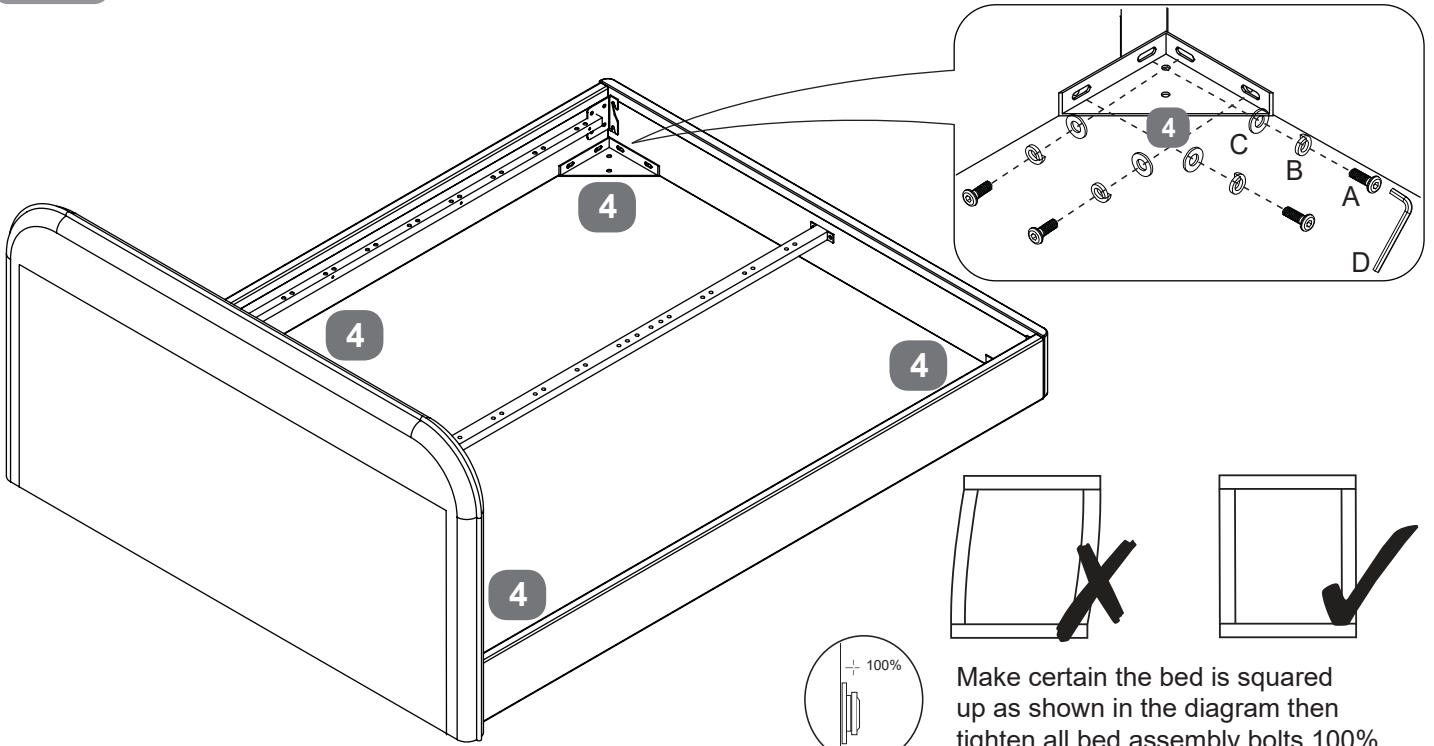
Stage
3








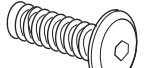
Bed Assembly

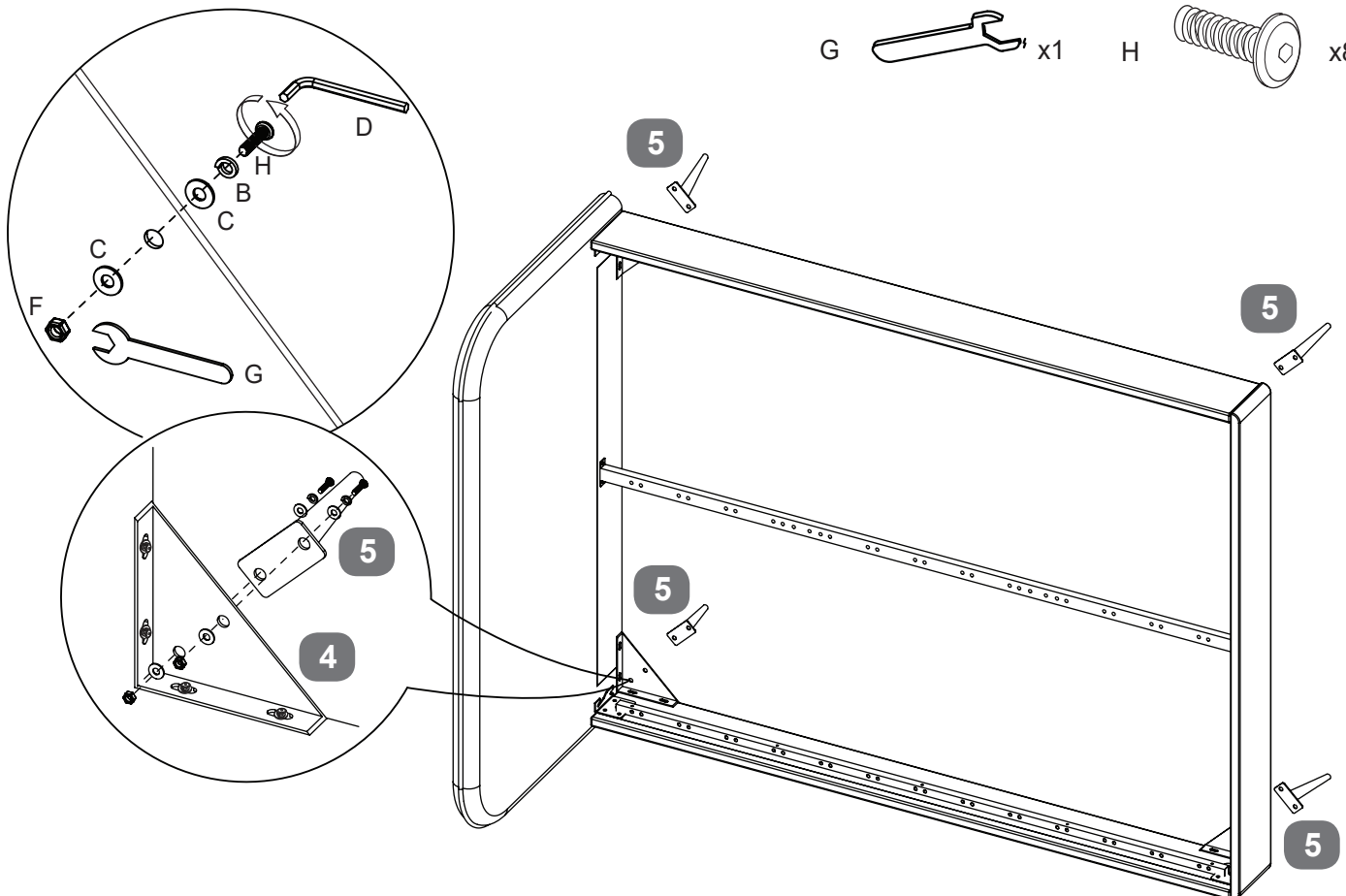
Stage
4

- A  x16
- B  x16
- C  x16
- D  x1



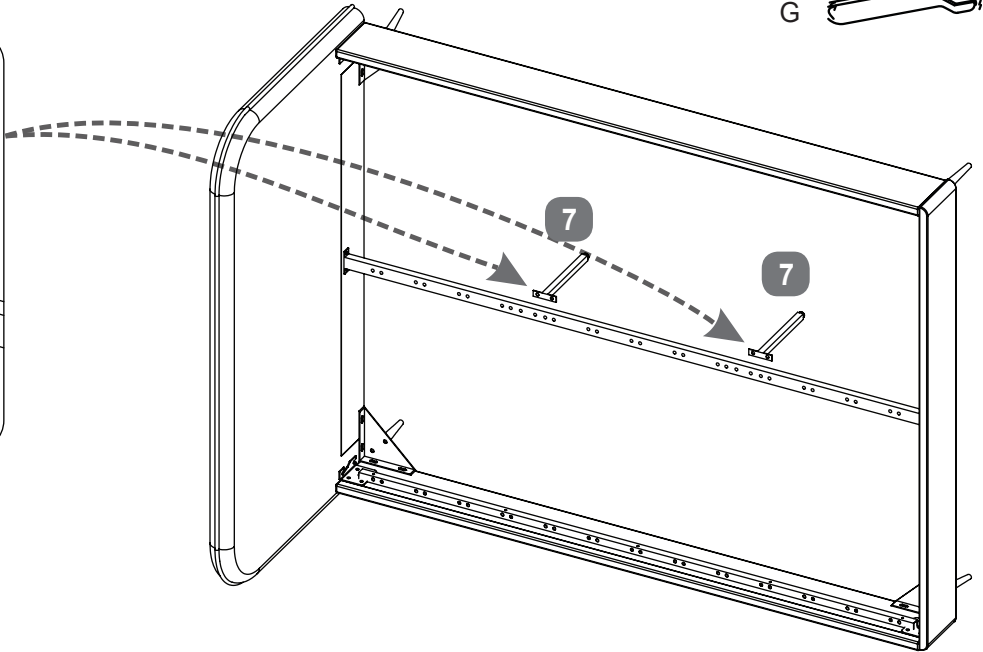
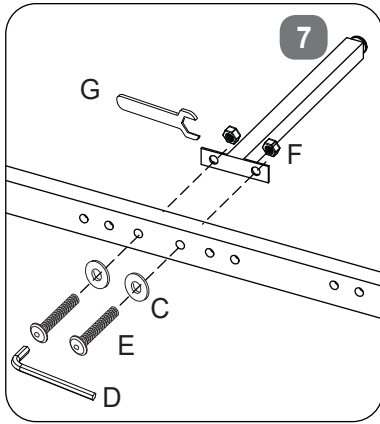
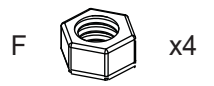
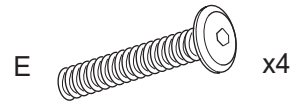
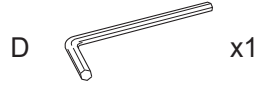
Stage
5

- B  x8
- C  x16
- D  x1
- F  x8
- G  x1
- H  x8

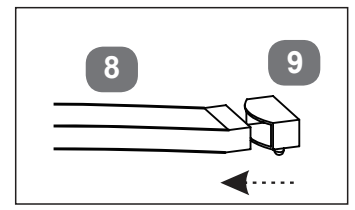
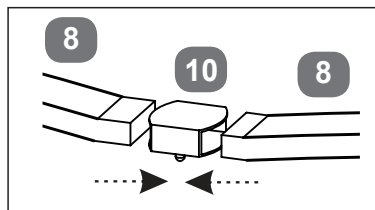
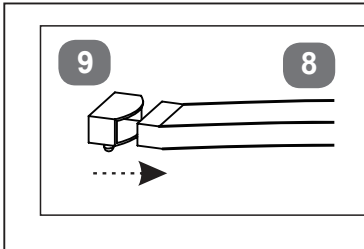


Bed Assembly

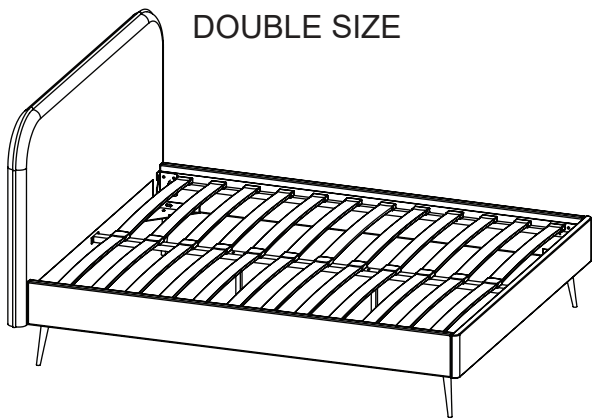
Stage
6



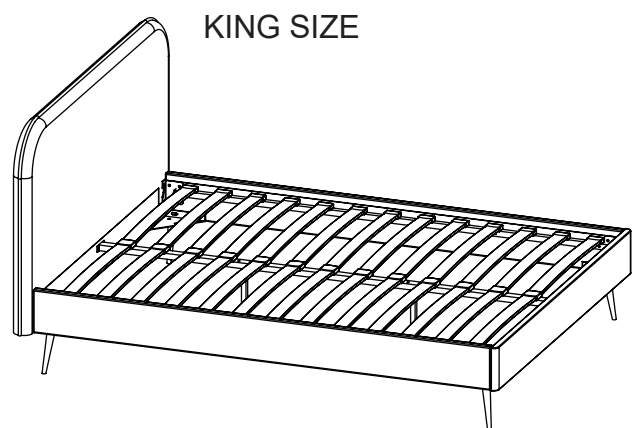
Stage
7



DOUBLE SIZE



KING SIZE



Fit slats (8) to double plastic cap (10). Fix single plastic caps (9) on each end. Connect set onto centre support bar (6) & metal support rails of side rails (3) align the lugs & tap gently with a light hammer.

